

# Roller Blinds & Sunscreens



The world's most admired  
window coverings —————

*Luxaflex*<sup>®</sup>





**Beauty is  
in the details**



Luxaflex® has been adding style and sophistication to New Zealand windows since the 1950's.

Our design heritage is founded on innovation for today and tomorrow while taking care to celebrate the beauty in the details. To us, form and function are synonymous. Consistently pushing the boundaries, we are proud to be the market-leaders in daylight regulation and solar heat control solutions.





# Roller Blinds & Sunscreens

Screen the sun, filter the light or create darkness. Luxaflex® Roller Blinds can be whatever you need them to be. It means you can unify your home with one style of window covering, yet every room can receive the individual treatment it requires. And because Roller Blinds are sleek and simple, they can complement almost any interior theme.

---

## Beautiful simplicity

Interior designers love roller blinds. Their simple elegance is compatible with almost any type of interior, helping to create the perfect backdrop for art and furniture. They also support end-to-end design unity, because it's easy to specify exactly the right kind of shade for every room.

---

## Fabric variety

Luxaflex® roller blind fabrics are designed to suit your light, glare, heat and privacy needs, with a range of low VOC (Volatile Organic Compound) textiles for those sensitive to the smell of fabrics. Many fabrics are Sanitized® treated – for optimal hygiene and treated with DURAGUARD® Fabric Protector to repel most stain-causing agents.

---

## Child safety

Child safety is a critical issue. We have addressed this concern with specific safety devices, such as child-safe tensioner devices to eliminate the risk of accidental entanglement from control chains. Or alternatively, upgrade to automation which is cordless, enhancing child safety.

---

## Hard-to-reach windows

If you have an atrium or foyer window that's way beyond your reach, an automated roller blind is an ideal child safe solution.

---





## Finishing



### Two shades in one

The Luxaflex® twin bracket system allows you to combine the functionality of two different roller blinds in one window so you can have daytime screening or filtering and night-time privacy.



### Headbox and Fascia options

For shades fitted above window frames, or inside the reveal, a sleek Headbox or matching Fascia System in a range of colours can be used to conceal the roller and mechanism.



### Bottom rail

The bottom rail is a design feature that you can tailor to your tastes. There's a choice of three shapes and eight colours: White, Black, Ivory, Pearl Bronze, Anodised Silver, Dune, Bone and Barley.



### Linked blind system

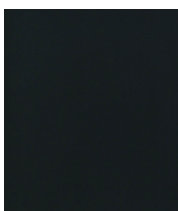
The Linked Roller Blind System lets you operate Blinds with the one control. It's ideal for wide areas, such as Sliding and Bi-Folding doors.



### Headbox and Side Channels

A sleek and contemporary head box and fascia system is available in 2 size options (89mm or 100mm) in Anodised, Black, White or Magnolia.

## Fabric Options



### Blockout

Choose a blockout fabric if you want room darkening and privacy in bedrooms or living areas. Available in a range of monochromatic shades and contemporary textures.



### Light Filtering

A smart choice if you want light and privacy at the same time. Light filtering fabrics are available in a range of opacities, colours and textures.



### Sunscreen

Sunscreens shade the sun, while also offering daytime privacy. Sunscreen fabrics deliver both visibility and protection from harmful UV.

## Operating Systems



### Manual operation

Manual control options include the classic standard chain drive or a chainless spring motor.



### Automation

Luxaflex® Roller Blinds can be automated so you can raise or lower your window coverings with the touch of a button, voice control or smart phone. (Refer page 10).





# Larger Roller Blind Headbox

Introducing the larger and improved Luxaflex® Roller Blind Headbox, giving the ultimate Blockout solution. The new 100mm Headbox now supports longer drop Roller Blinds on the thickest of Blockout fabrics, as well as providing a solution for the Heavy Duty motorised 65mm Quantum® hardware.

---

## Modern design

The new larger Headbox is also compatible with the existing Side Channels to provide an effective Blockout solution. Modern Contemporary design following the same principles as the existing smaller 89mm Headbox. Snap on front cover for easy installation in Reveal or Face installations.

---

## Security

New End Cap design to enable securing of the Front cover / Fascia with a screw that is concealed in the underside of the end cap.

---

## Headbox support

Provide drops up to the maximum of 3.3 metres on the 50mm tube, and 2.6 metres on the 65mm tube using the thickest fabric 0.85mm. Longer drops possible on thinner fabrics (up to 5 metres) for 0.5mm thickness.

---

## Solutions

Compatible with existing side channels for an effective room-darkening solution. Available in Anodised, Black, Magnolia and White.

---



# Dual Fascia with End Caps

The Dual Fascia is the latest innovation to the Luxaflex® Quantum Dual Roller Blind product range. This allows the top of the exposed Roller Blinds to be discretely hidden away providing a neat ultra-modern finish for Dual Roller Blind applications. The completely redesigned brackets offer an easy snap on front cover for trouble free installation for inside or face fit installations. The new Dual Fascia maintains compatibility with our current side channels for an effective Dual Roller Blind Blockout solution.

---

## Latest innovation

New End Cap design can be used in all installation types and simply slides into position. Allows for drops up to 3.3 metres on the 50mm tube with the thickest fabric.

---

## Operations

Same side chain control or opposite side chain control supported as well as motorised operation.

---

## Seamless integration

Has the ability to combine two side channels together for a double-sided channel system. New Dual Fascia design coordinates perfectly with the existing Quantum Hardware System.

---

## Colours

Available in Anodised, Black and White.

---

## New bracket design

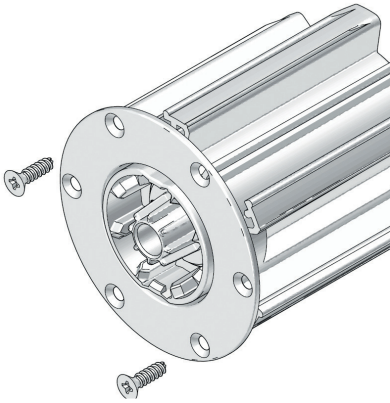




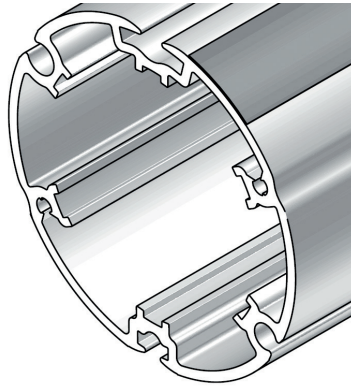




## Features and Benefits



Innovative tube brake



Re-engineered 65mm tube



Slim line rotatable chain drive

# Heavy Duty Chain System

Luxaflex® Heavy Duty Roller Blinds with Quantum Technology are available with chain drive operation, and provide a cost effective solution where large windows need to be covered. This system allows for single blinds that can extend to 3.8m wide while supporting drops up to 5.5m on supported fabrics. Available in black and white hardware.

---

### Innovation

Featuring an innovative chain brake that has been relocated inside the roller tube which reduces the size of the chain drive and results in a smaller light gap at the chain end. Minimal light gaps of 17mm for the chain end and 14mm for the idle end.

---

### Quiet and smooth

New rotatable clutch design allows for multidirectional control, which is both quiet and smooth in operation.

---

### Light and easy

New counterbalance spring for light and easy operation regardless of the total weight of the blind. It also features a built-in native stop which prevents over rotation.

---

### Adjustable

The adjustable spring-loaded idle end allows for easy installation and on-site adjustments to match light gaps on each side. All Luxaflex® Heavy Duty Chain blinds come on a new 65mm tube which has been engineered to reduce deflection over large expanses.

---

# Somfy® Automation

Somfy® automation is the only motorisation option from Luxaflex® allowing you to connect multiple products in and around the home using the one remote control or phone application. With hard-wired and wireless rechargeable battery motor options, Somfy® allows you to control your blinds via remote control, home automation, phone/tablet application or even voice control, ensuring there is an operating option that will work for every customer.

---

## Trusted name in motorisation

Somfy® offer a range of Sonesse ultra quiet motors. Sonesse motors use patented technology to dampen noise and vibration to deliver a new standard in acoustic control. The Sonesse range is available in both wired technology and RTS radio technology motors.

---

## Wire-free

Somfy® Wire-free motors allow you to retrofit your roller blinds without the requirement of a direct power source. With a rechargeable battery option, charging these when required becomes easy and simple.

---

## Somfy® Connexoon

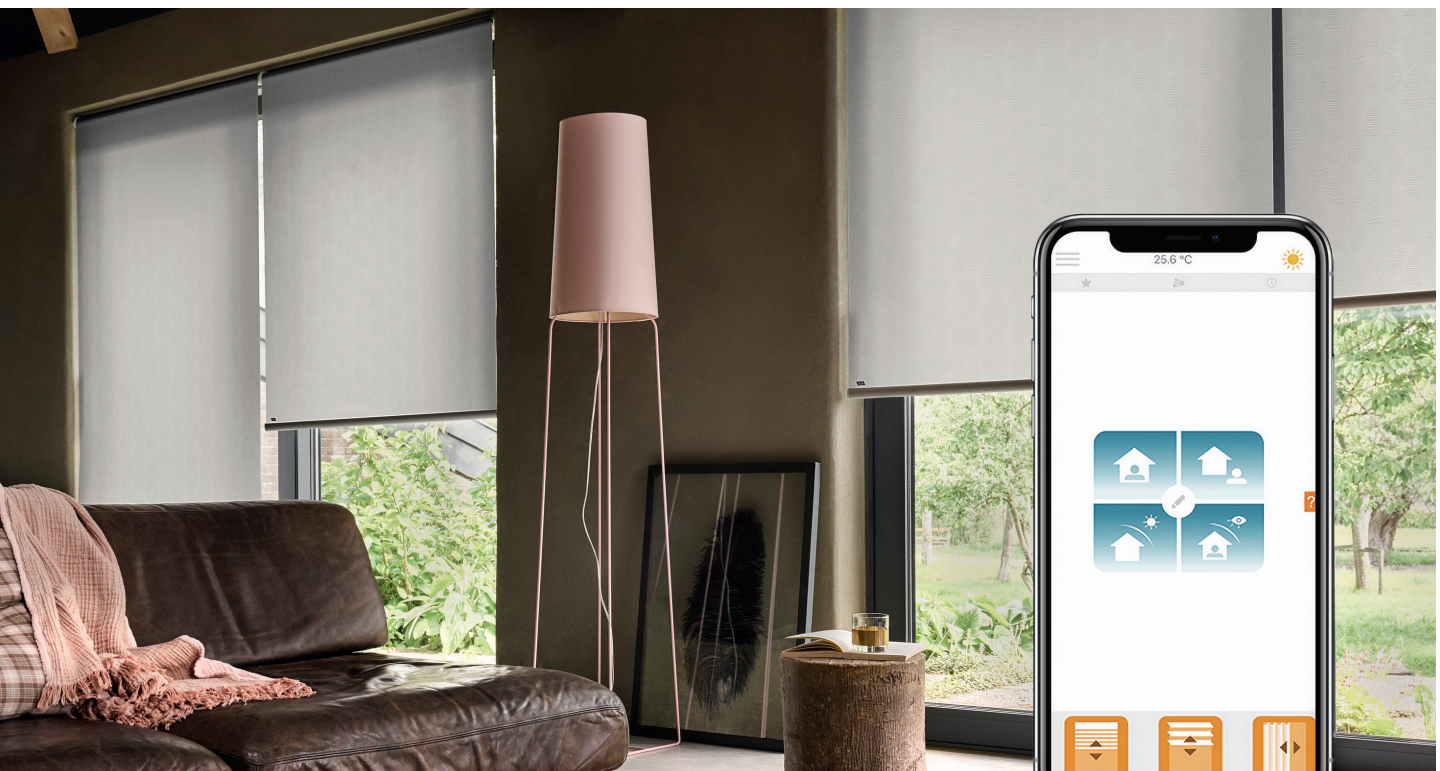
The perfect option for anyone to connect and control their blinds using Smartphones, Tablets or iPad. Connexoon gives you the freedom to control your blinds from anywhere Wi-Fi is available. Control of up to 20 products or 20 groups of products, with the ability to set products on a timed event and create scenarios!

---

## Voice Control

Control blinds the easy way - using your voice. Program your blinds for the convenience of operating these with a simple command using Amazon Alexa, Google Assistant along with other device options.

---







Stockist:

New Zealand Window Shades Head Office  
15 Lady Ruby Drive, Auckland, 2013

**P** 0800 223 224

**E** [customerservice@nzwindowshades.co.nz](mailto:customerservice@nzwindowshades.co.nz)

**W** [www.luxaflex.co.nz](http://www.luxaflex.co.nz)

---

Luxaflex® is a division of New Zealand Window Shades Ltd.  
©Copyright 2022 New Zealand Window Shades Ltd.

November 2022

The Luxaflex logo is written in a stylized, elegant cursive script. The word "Luxaflex" is in a dark color, and a registered trademark symbol (®) is positioned at the top right of the final letter.